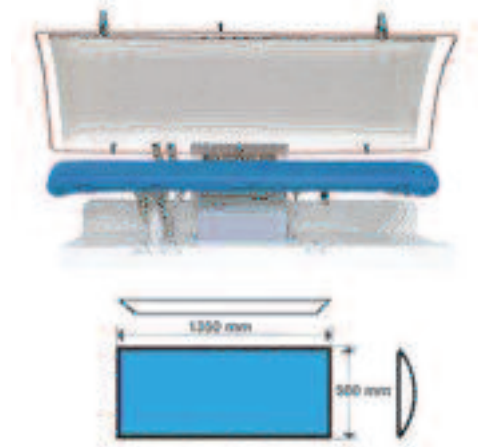




AIR OPERATED LAUNDRY APPAREL PRESS MOD BL CRP/L/CR



CRP/L/CR

Features and strength

- Steam available from buck shapes
- High temperature polished head dries the fabric and gives it a flat finish
- Vacuum on buck shape to dry fabric when pressing
- Air operated press head for easy comfortable use
- Two push button operated press head for operator safety
- Protection frame improve operator safety
- Emergency button
- Pneumatic pedals for vacuum and steaming operation
- digital electronic control panel

Main options

- Steam boiler 24 lt (12, 15 or 18 kW)
- Vacuum motor 0,50 Hp
- Integrated air compressor
- Electric steam iron group
- All steam iron group
- Steam / air gun for spot removal
- Stainless steel spotting arm
- Time switch programmable through



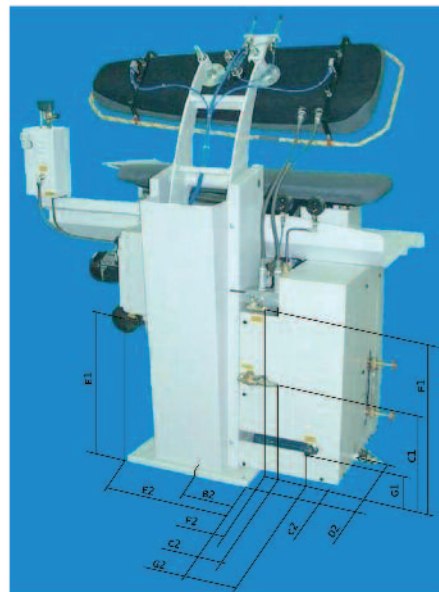
Made in Italy with Italian Fashion Mind



TECHNICAL FEATURES BL CRP/L/CR

| Electric Connections | | Mod BL CRP/L/CR/ASP | Mod BL CRP/L/CR/AUT |
|-------------------------------------|------|---------------------|---------------------|
| Standard voltage | | | |
| 400V-3Ph-50Hz | kW | 6 | 15 |
| other voltages available on request | | | |
| Vacuum and blowing fan power | kW | 0,37 | 0,37 |
| Steam and air connection | | | |
| Steam inlet | inch | 1/2" | |
| Steam outlet | inch | 1/2" | |
| Steam supply | Kpa | 400 - 600 | |
| Steam consumption | kg/h | 25-30 | |
| Compressed Air inlet | inch | 3/8" | 3/8" |
| Compressed Air supply | Kpa | 600-800 | 600-800 |
| Compressed Air consumption | l/h | 230 | 230 |
| Vacuum outlet | mm | 60 | 60 |
| Water inlet | inch | | 1/2" |
| Water drenage | inch | | 1/2" |
| Shipping details | | | |
| Packing type | | Pallet+carton box | Pallet+carton box |
| Packing size | mm | 1800 x 1300 x 1500H | 1800 x 1300 x 1500H |
| Net weight | kg | 300 | 400 |
| Gross weight | kg | 330 | 430 |

| DESCRIPTION | | mm | mm | DIMENSION |
|---------------------|----|-----|--------|-----------|
| ELECTRICAL POWER | | | B2 160 | |
| CONDENSATION RETURN | C1 | 540 | C2 90 | 1/2" |
| AIR EXHAUST | E1 | 300 | E2 550 | D. 125 |
| STEAM | F1 | 640 | F2 90 | 1/2" |
| AIR INLET | E1 | 300 | E2 550 | 3/8" |
| WATER INLET | G1 | 150 | G2 180 | 3/4" |
| BOILER DISCHARGE | D1 | 60 | D2 340 | 1/2" |



ROTONDI group Srl
 Via Fratelli Rosselli, 14/16
 20019 Settimo Milanese (Milano) - Italia
 Tel. (+39) 02.335.01.224 - Fax (+39) 02.335.01.329
 E-mail: rotondi@rotondigroup.it
www.rotondigroup.com

Agente: