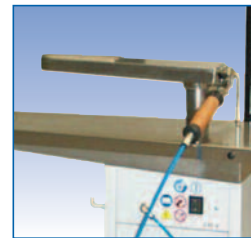
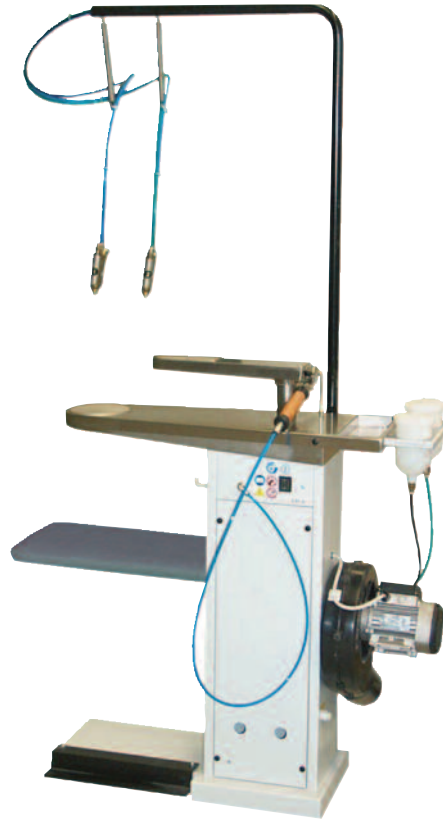




COMPACT SPOTTING BOARD

EC-72 SERIES



EC-72-Compact size suitable for laundries or packages with little space.

Available in 3 different versions

- Form and mobile arm in stainless steel.
- Two stain-removal guns connected to tanks (EC-72.2).
- With connection for centralised vacuum (EC-72.0) or with built-in high-depression vacuum at 0.37KW - 0.5HP (EC-72.1 - EC-72.2).
- Hot air - steam gun with pedal control and condensation separator unit (EC-72.0 - EC-72.1).
- Active carbon purification unit -optional.



Made in Italy with Italian Fashion Mind

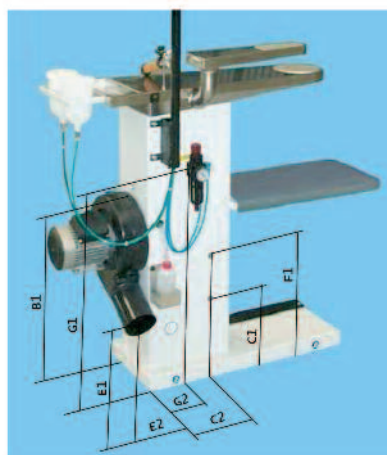


TECHNICAL SPECIFICATIONS FOR STAIN REMOVAL TABLE EC 72

PARAMETER		DESCRIPTION		
		EC 72.00	EC 72.01	EC 72.02
Supply voltage	V Hz	230/1 50Hz		
Suction unit power	Kw	-	0,37	
Steam intake	ø	3/8"		-
Air intake	ø	1/4"		
Condensation discharge	ø	3/8"		-
Air discharge	ø	1-1/4" mm	100	
Steam pressure	bar	4,5		-
Air pressure	bar	10		
Net weight	Kg	33	38	37
Gross weight	Kg	43	48	47
MACHINE DIMENSIONS				
Machine dimensions L x P x H	mm	1100 x 350 x 970		
Packing dimensions L x P x H	mm	1130 x 470 x 1080		
Different voltage and frequency specifications on request.				

ASSEMBLY AND PREPARATION OF THE MACHINE

DESCRIPTION	mm		mm		DIMENSION
ELECTRIC POWER	B1	200	00	0	
CONDENSATION RETURN	C1	220	C2	220	3/8"
AIR EXHAUST	E1	830	E2	30	d.100
STEAM	F1	350	C2	220	3/8"
AIR INLET	G1	670	G2	100	1/4"



ROTONDI group Srl
 Via Fratelli Rosselli, 14/16
 20019 Settimo Milanese (Milano) - Italia
 Tel. (+39) 02.335.01.224 - Fax (+39) 02.335.01.329
 E-mail: rotondi@rotondigroup.it
www.rotondigroup.com

Agente: