



# IRONING TABLES

## PVT-30-31-38



### Ironing board with vacuum or vacuum and blowing (A/S versions).

- Vacuum with high-depression motor at 0.37 KW - 0.5HP
- Electrically heated form. Special forms upon request
- Garment holders.
- 3-layer padding. Silicon iron rest.

#### Options:

- Stainless steel swing arm with ergonomic moulding.
- Electrically heated arm forms. Vast array of forms available upon request
- Special arm forms upon request.
- Lighting device and iron trolley.
- Condensation separator group, with electric-steam or steam iron, or with temperature control using high-precision electronic display (see catalogue of irons)
- Anti-shine shoe in PTFE-aluminium or stainless steel
- Air-water spray gun. Steam or air/steam gun unit
- Built-in electric steam generator - capacity 8 litres - 4KW - meets PED standards (PVT-38)
- No delay in switching from vacuum to blowing, thanks to action of pneumatic cylinders



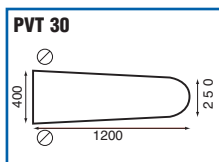
Made in Italy with Italian Fashion Mind



**CARATTERISTICHE TECNICHE  
TECHNICAL FEATURES**

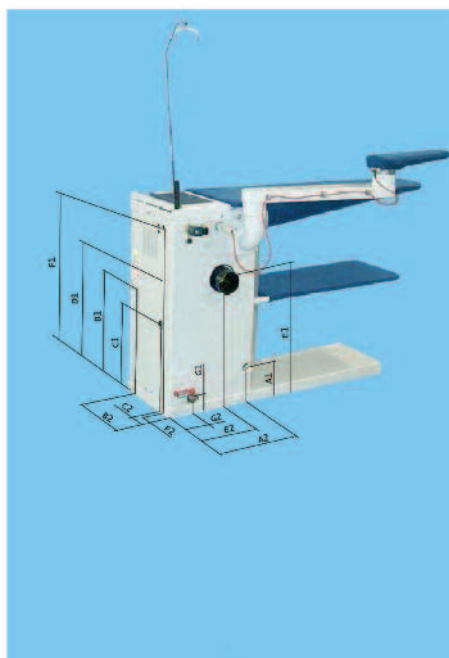
PARAMETRO PARAMETER		PVT 30	PVT 38 (Caldaia/Boiler 8 Lt.)	PVT 31 (Caldaia/Boiler 8 Lt.)
Tensione di alimentazione Supply voltage	-	230 V / 1 / 50 Hz	400 V / 3 / 50 Hz	400 V / 3 / 50 Hz
Resistenze caldaia Boiler resistances	Kw	-	4	4
Resistenze piano di stiratura Ironing table resistances	Kw	0,800		
Resistenze ferro Ironing unit resistances	Kw	0,800		
Motore aspiratore Vacuum unit motor	Kw	0,35		
Motore pompa Pump motor	Kw	-	0,33	-
Scarico caldaia Boiler discharge	Ø	-	3/8"	3/8"
Scarico aria Air discharge	Ø	100 mm		
Entrata acqua Water inlet	Ø	-	12 mm	12 mm
Pressione vapore Steam pressure	bar	-	3	3
Peso netto Net weight	Kg	60	86	86
Peso lordo Gross weight	Kg	80	96	96
<b>MISURE D'INGOMBRO OVERALL DIMENSION</b>				
Larghezza Width	mm	1500		
Profondità Depth	mm	550	50	
Altezza Height	mm	910	10	
A richiesta tensioni e frequenze d'alimentazione e potenze differenti. Different voltage and frequency specifications on request				

**MAIN BUCK TABLES (MM)**



**ASSEMBLY AND PREPARATION OF THE MACHINE**

DESCRIPTION	mm	mm	DIMENSION
PVT 38			
WATER INLET	A1 165	A2 85	3/4"
ELECTRIC POWER	B1 490	B2 275	
CONDENSATION RETURN	C1 325	C2 100	3/8"
AIR EXHAUST	E1 570	E2 310	D.100
STEAM	F1 770	F2 70	3/8"
BOILER DISCHARGE	G1 110	E2 310	1/2"
PVT 31			
ELECTRIC POWER	B1 490	B2 275	
CONDENSATION RETURN	D1 570	F2 70	3/8"
AIR EXHAUST	E1 570	E2 310	D.100
STEAM	F1 770	F2 70	3/8"
PVT 30			
ELECTRIC POWER	B1 490	B2 275	
AIR EXHAUST	E1 570	E2 310	D.100



**ROTONDI group Srl**  
Via Fratelli Rosselli, 14/16  
20019 Settimo Milanese (Milano) - Italia  
Tel. (+39) 02.335.01.224 - Fax (+39) 02.335.01.329  
E-mail: [rotondi@rotondigroup.it](mailto:rotondi@rotondigroup.it)  
[www.rotondigroup.com](http://www.rotondigroup.com)

Agente: