



AIR OPERATED LAUNDRY APPAREL PRESS MOD BL CRP/L/CR



CRP/L/CR

Features and strength

- Steam available from buck shapes
- High temperature polished head dries the fabric and gives it a flat finish
- Vacuum on buck shape to dry fabric when pressing
- Air operated press head for easy comfortable use
- Two push button operated press head for operator safety
- Protection frame improve operator safety
- Emergency button
- Pneumatic pedals for vacuum and steaming operation
- digital electronic control panel

Main options

- Steam boiler 24 lt (12, 15 or 18 kW)
- Vacuum motor 0,50 Hp
- Integrated air compressor
- Electric steam iron group
- All steam iron group
- Steam / air gun for spot removal
- Stainless steel spotting arm
- Time switch programmable through



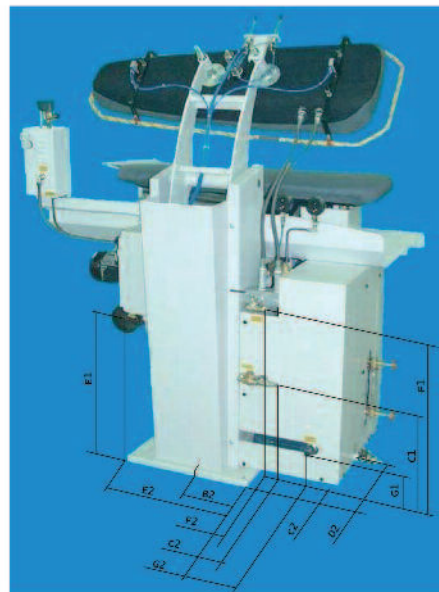
Made in Italy with Italian Fashion Mind



TECHNICAL FEATURES BL CRP/L/CR

Electric Connections		Mod BL CRP/L/CR/ASP	Mod BL CRP/L/CR/AUT
Standard voltage			
400V-3Ph-50Hz	kW	6	15
other voltages available on request			
Vacuum and blowing fan power	kW	0,37	0,37
Steam and air connection			
Steam inlet	inch	1/2"	
Steam outlet	inch	1/2"	
Steam supply	Kpa	400 - 600	
Steam consumption	kg/h	25-30	
Compressed Air inlet	inch	3/8"	3/8"
Compressed Air supply	Kpa	600-800	600-800
Compressed Air consumption	l/h	230	230
Vacuum outlet	mm	60	60
Water inlet	inch		1/2"
Water drenage	inch		1/2"
Shipping details			
Packing type		Pallet+carton box	Pallet+carton box
Packing size	mm	1800 x 1300 x 1500H	1800 x 1300 x 1500H
Net weight	kg	300	400
Gross weight	kg	330	430

DESCRIPTION		mm	mm	DIMENSION
ELECTRICAL POWER			B2 160	
CONDENSATION RETURN	C1	540	C2 90	1/2"
AIR EXHAUST	E1	300	E2 550	D. 125
STEAM	F1	640	F2 90	1/2"
AIR INLET	E1	300	E2 550	3/8"
WATER INLET	G1	150	G2 180	3/4"
BOILER DISCHARGE	D1	60	D2 340	1/2"



ROTONDI group Srl
 Via Fratelli Rosselli, 14/16
 20019 Settimo Milanese (Milano) - Italia
 Tel. (+39) 02.335.01.224 - Fax (+39) 02.335.01.329
 E-mail: rotondi@rotondigroup.it
www.rotondigroup.com

Agente: